

PROJECT		REF		REV	ITEM CODE	
LOCATION		DATE			PAGE	

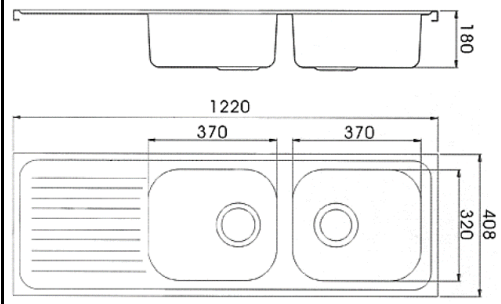
SANITARY WARE SPECIFICATION SHEET

Item Descriptions	Global (PRC) 304 Stainless steel double bowls insert lay-on sink with waste fittings	Illustration/ Drawing
Dimensions	L1220 x W408 x H180 mm (Overall) L370 x W320 x H180 mm (Large) L370 x W320 x H180 mm (Small)	
Model	L9002	
Material	Stainless Steel 304	
Manufacturer	Global (PRC)	
Source	Acme Sanitary Ware Co. Ltd Mr. Eric Wong/ Mr. Don Yuen	
Contact Tel/Fax	(852) 2388-7171 / (852) 2710-8012	
E-mail	acme@acmesanitary.com.hk	
Website	www.acmesanitary.com.hk	

Product Detail :

"Lay-on sinks"

- Model : L9002
- Size (mm) : 1220 mm x 408 mm x 180 mm
- Size (inch) : 48" x 16" x 7"
- 304 stainless steel double bowls sink



Note:

* All information of the above is for the reference only. No prior notice is made if any changes.